



DEEP CYCLE GEL 31-GEL



• VRLA GEL

- BCI Group 31, 12V
- Reserve Capacity [Ah@20hr rate]: 102
- Reserve Capacity [Ah@100hr rate]: 108
- Energy [kWh]: 1.30
- Weight: 70 lbs.
- Length: 12.94 in (329 mm)
- Width: 6.82 in (173 mm)
- Height: 9.64 in (245 mm)
- UT



Deep-Cycle Gel

Trojan Battery – the most trusted name in deep-cycle battery technology – also offers deep-cycle gel batteries.

- Trojan's deep-cycle gel batteries are completely maintenance-free and require no watering.
- Deep-cycle gel batteries provide customers long lasting runtime and battery life for the most demanding applications.



DATA SHEET

MODEL 27-GEL
 VOLTAGE 12V
 CAPACITY 91Ah @ 20Hr
 MATERIAL Polypropylene
 BATTERY TYPE Deep Cycle VRLA GEL

12V

PRODUCT + PHYSICAL SPECIFICATIONS

BCI Group Size	Type	Voltage	Cell(s)	Terminal Type ^G	Dimensions ^C Inches (mm)			Weight Lbs. (kg)
					Length	Width	Height ^F	
31	31-GEL	12	6	7	12.94 (329)	6.82 (173)	9.64 (245)	70 (32)

ELECTRICAL SPECIFICATIONS

Cranking Performance		Capacity ^A Minutes		Capacity ^B Amp-Hours (AH)				Energy (kWh)	Internal Resistance (mΩ)	Short Circuit Current (amps)
C.C.A. ^D @ 0°F (-18°C)	C.A. ^E @ 32°F (0°C)	@ 25 Amps	@ 75 Amps	5-Hr	10-Hr	20-Hr	100-Hr	100-Hr		
—	—	200		85	94	102	108	1.30	—	—

CHARGING INSTRUCTIONS

CHARGER VOLTAGE SETTINGS (AT 77°F/25°C)

System Voltage	12V	24V	36V	48V
Absorption Charge	14.1 – 14.4	28.2 – 28.8	42.3 – 43.2	56.4 – 57.6
Float Charge	13.5	27	40.5	54

CHARGING TEMPERATURE COMPENSATION

Add	Subtract
0.005 volt per cell for every 1°C below 25°C 0.0028 volt per cell for every 1°F below 77°F	0.005 volt per cell for every 1°C above 25°C 0.0028 volt per cell for every 1°F above 77°F

OPERATIONAL DATA

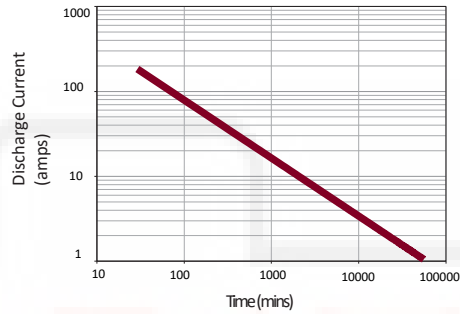
Operating Temperature	Self Discharge
-4°F to 122°F (-20°C to 50°C) At temperatures below 32°F (0°C) maintain a state of charge greater than 60%	Less than 3% per month depending on storage temperature conditions



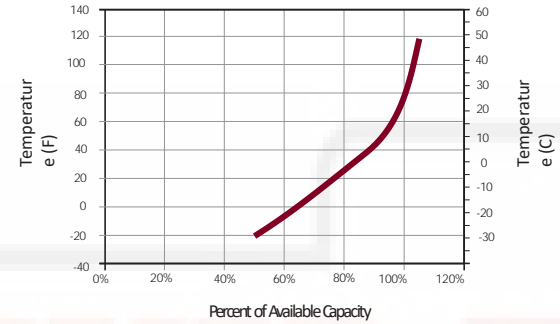
Designed in compliance with applicable BCI, DIN, BS and IEC standards. Tested in compliance to BCI and IEC standards.



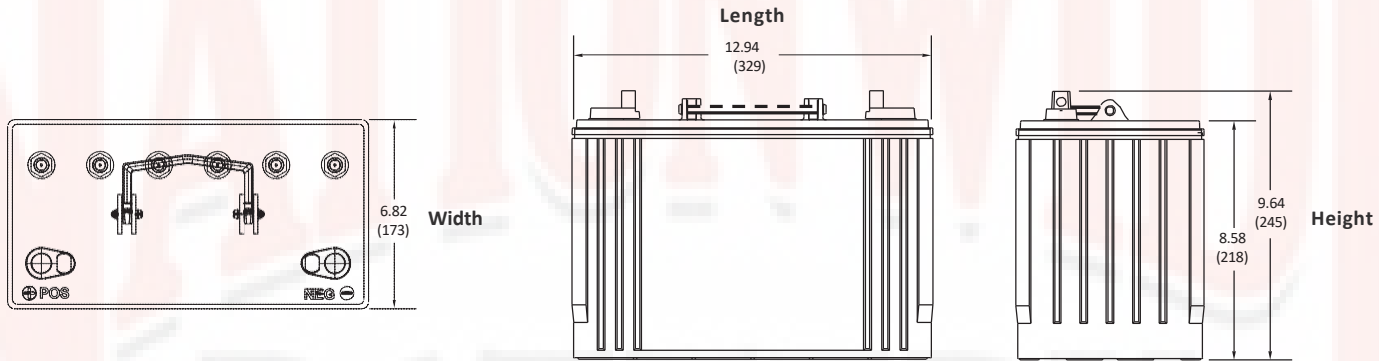
TROJAN 31-GEL PERFORMANCE




PERCENT CAPACITY VS. TEMPERATURE



BATTERY DIMENSIONS



TERMINAL CONFIGURATIONS

7	UT	Universal Terminal
		
<i>Terminal Height Inches (mm)</i>		
1.10 (28)		
<i>Torque Values in-lb (Nm)</i>		
95-105 (11 - 12)		
<i>Bolt</i>		
5/16"		

A. The amount of amp-hours (Ah) a battery can deliver when discharged at a constant rate at 86°F (30°C) for all rates and maintain a voltage above 1.75 V/cell. Capacities are based on peak performance.
 B. Dimensions may vary depending on type of handle or terminal. Batteries should be mounted with 0.5 inches (12.7 mm) spacing minimum.

C. Height taken from bottom of the battery to the highest point on the battery. Heights may vary depending on type of terminal.
 D. Terminal images are representative only.
 E. A boost charge should be performed every 6 months when batteries are in storage.
 F. Weight may vary.